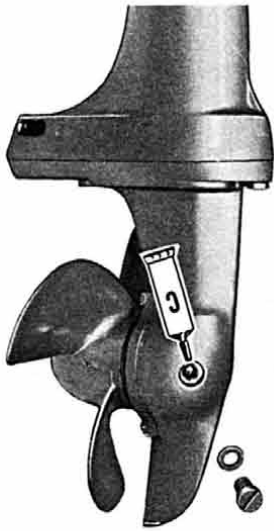
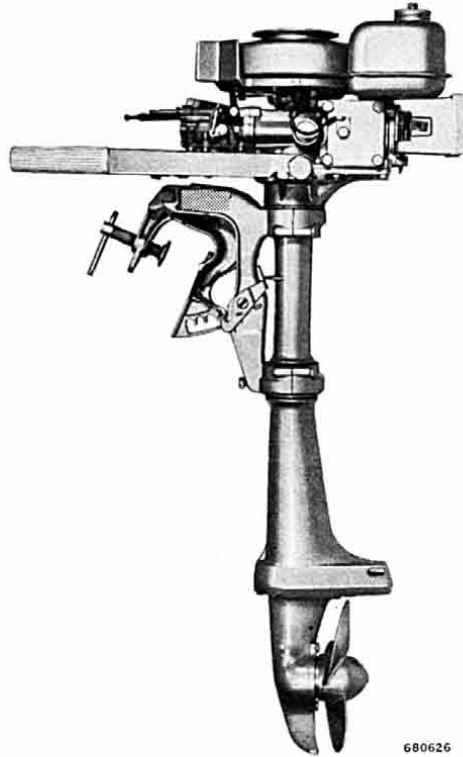


LUBRICATION POINTS



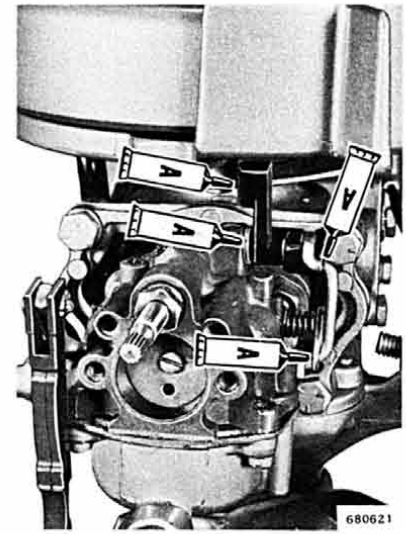
680625

Figure 2-2. Gearcase Lubrication



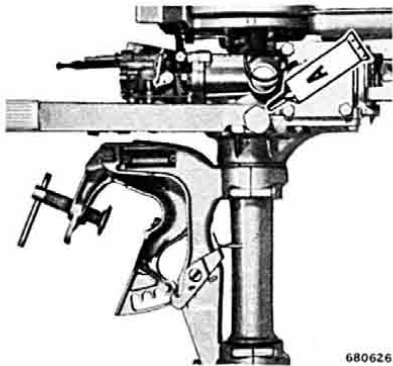
680626

Figure 2-1. Port Side



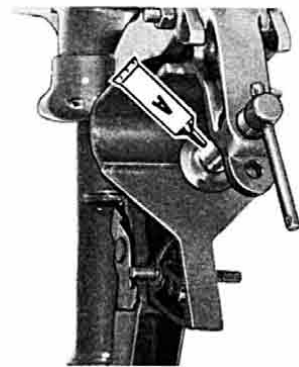
680621

Figure 2-4. Magneto Cam, Carburetor and Choke Lubrication



680626

Figure 2-3. Steering Handle Lubrication



680389

Figure 2-5. Clamp Screw Lubrication