

LUBRICATION POINTS

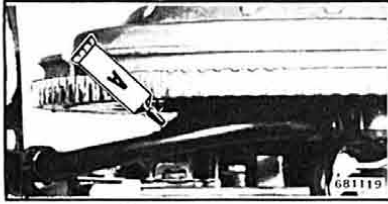


Figure 2-6. Safety Switch Cam on Distributor Base

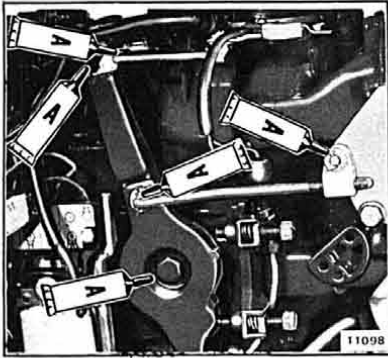


Figure 2-5. Throttle Arm and Distributor Linkage

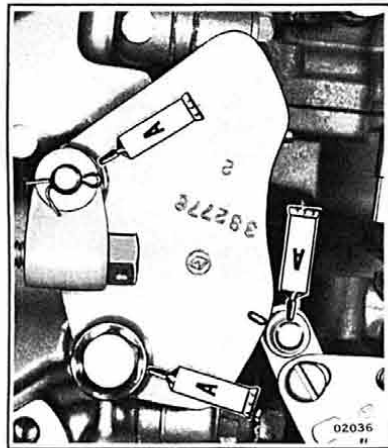


Figure 2-4. Cam Follower and Roller Shaft

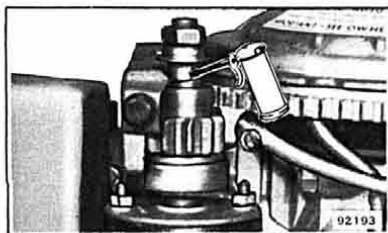
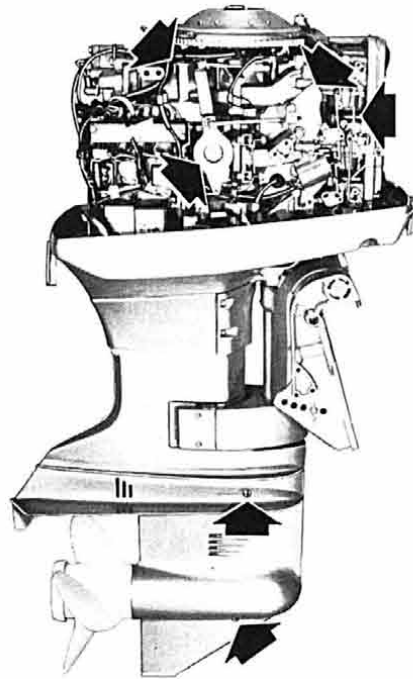


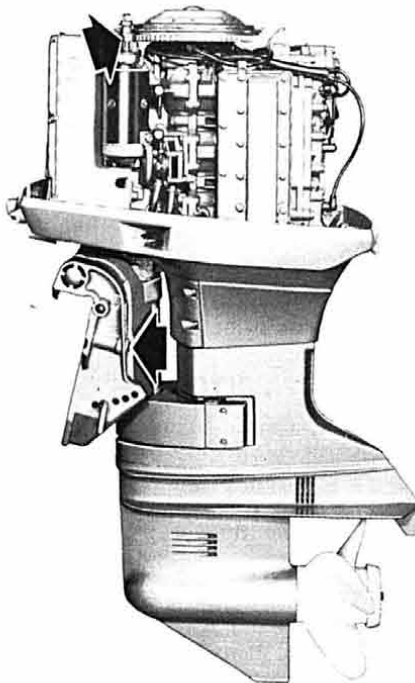
Figure 2-3. Starter Pinion Gear Shaft



DRAIN AND REFILL

11615

Figure 2-1. Starboard Side



01264

Figure 2-2. Port Side

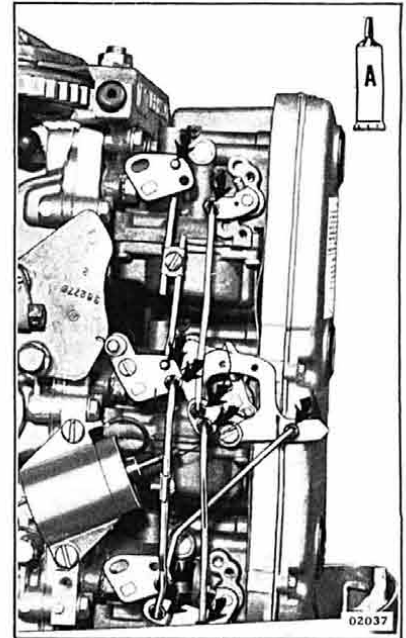
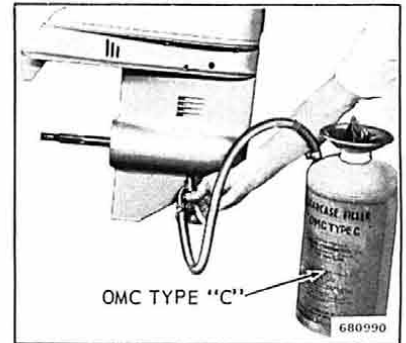


Figure 2-7. Throttle and Choke Shaft Springs and Linkage



OMC TYPE "C"

680990

Figure 2-8. Gearcase

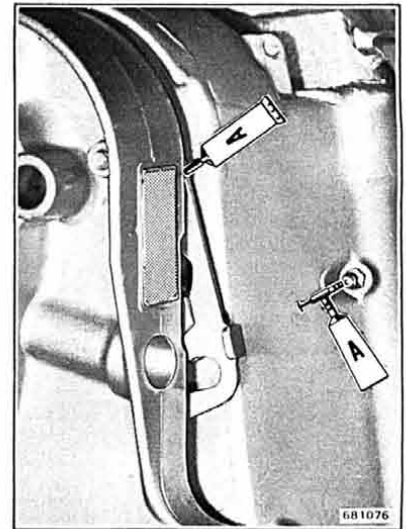


Figure 2-9. Swivel Bracket and Tilt Lock Lever