

Figure 1-1. 4 H.P. with Standard Gearcase - Starboard Side

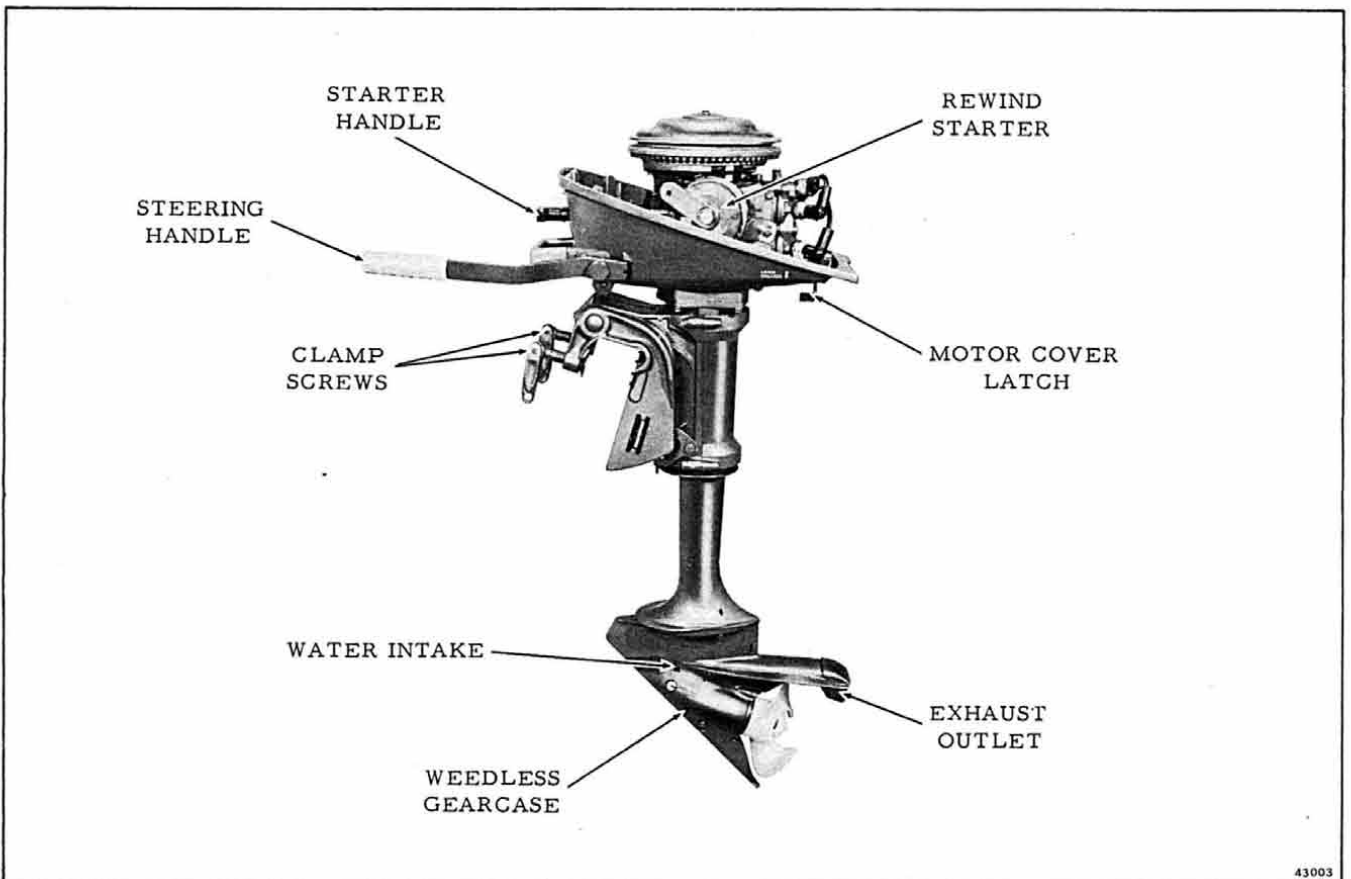


Figure 1-2. 4 H.P. with Weedless Gearcase - Port Side