

SPECIAL SERVICE TOOLS

OMC has specially-designed tools to simplify some of the disassembly and reassembly operations. These tools are illustrated in this Service Manual, in many cases in actual use. Refer to the Special Service Tool Catalog for a description and ordering instructions for these tools. Individual purchasers of Service Manuals must order Special Tools from an authorized dealer.

OUTBOARD MOTOR NOMENCLATURE

Sometimes the words "right" and "left" are very confusing when referring to the sides of an outboard motor. Therefore, the sides are referred to as STARBOARD or PORT sides. STARBOARD means on the right hand while facing the bow (FRONT) of the boat; PORT means left hand. See Figures 1-1 and 1-2.

Service required for the motor is generally one of three kinds . . .

1. **NORMAL CARE AND MAINTENANCE**, which includes putting a new motor into operation, storing motors, lubrication, and care under special operating conditions such as salt water and cold weather.
2. **OPERATING MALFUNCTIONS** due to improper motor mounting, propeller condition or size, boat condition, or the malfunction of some part of the motor. This includes motor tune-up procedures to keep the motor in prime operating condition.
3. **COMPLETE DISASSEMBLY** and overhaul, such as inspecting a motor that has been submerged, or rebuilding trade-in units.

It is important to you as the service man to determine before disassembly just what the trouble is, and how to correct it quickly and with minimum expense to the owner. Refer to the Trouble Check chart in Section 2 to help you diagnose motor malfunctions.

1. Flywheel
2. Speed control
3. Choke
4. High speed knob
5. Reverse lock
6. Steering friction screw
7. Exhaust housing
8. Water pump
9. Oil drain and fill plug
10. Exhaust relief and water outlet
11. Pivot brg. retainers
12. Fuel valve
13. Filler cap and air vent screw
14. Rewind Starter
15. Motor rest
16. Model and serial number plug
17. Swivel bracket
18. Exhaust outlet
19. Propeller
20. Skeg
21. Water intake port and starboard
22. Tilt rod
23. Clamp screw
24. Model and serial number plate
25. Steering handle
26. Low speed needle

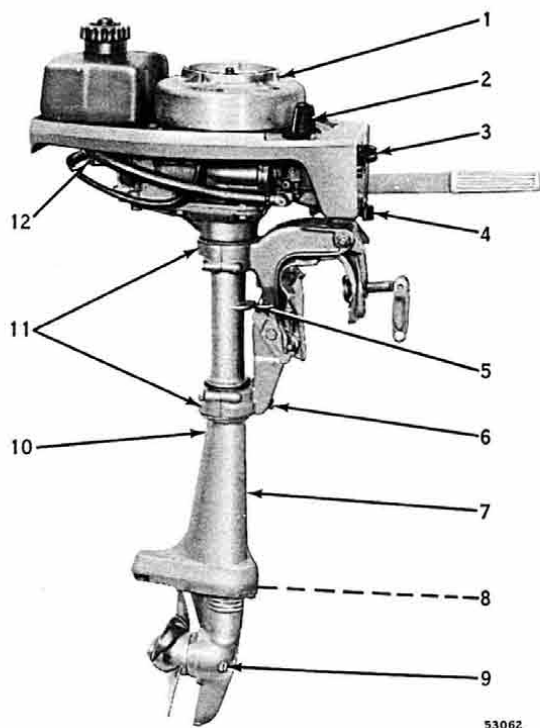


Figure 1-1. Starboard View Less Starter

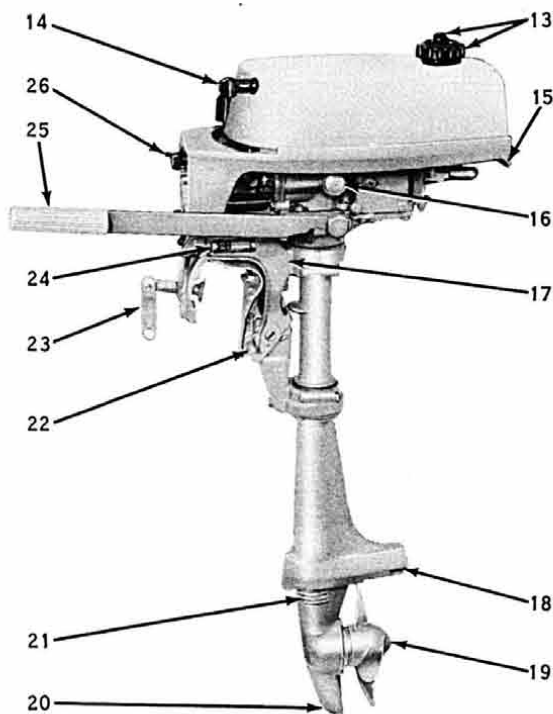


Figure 1-2. Port Side View with Starter