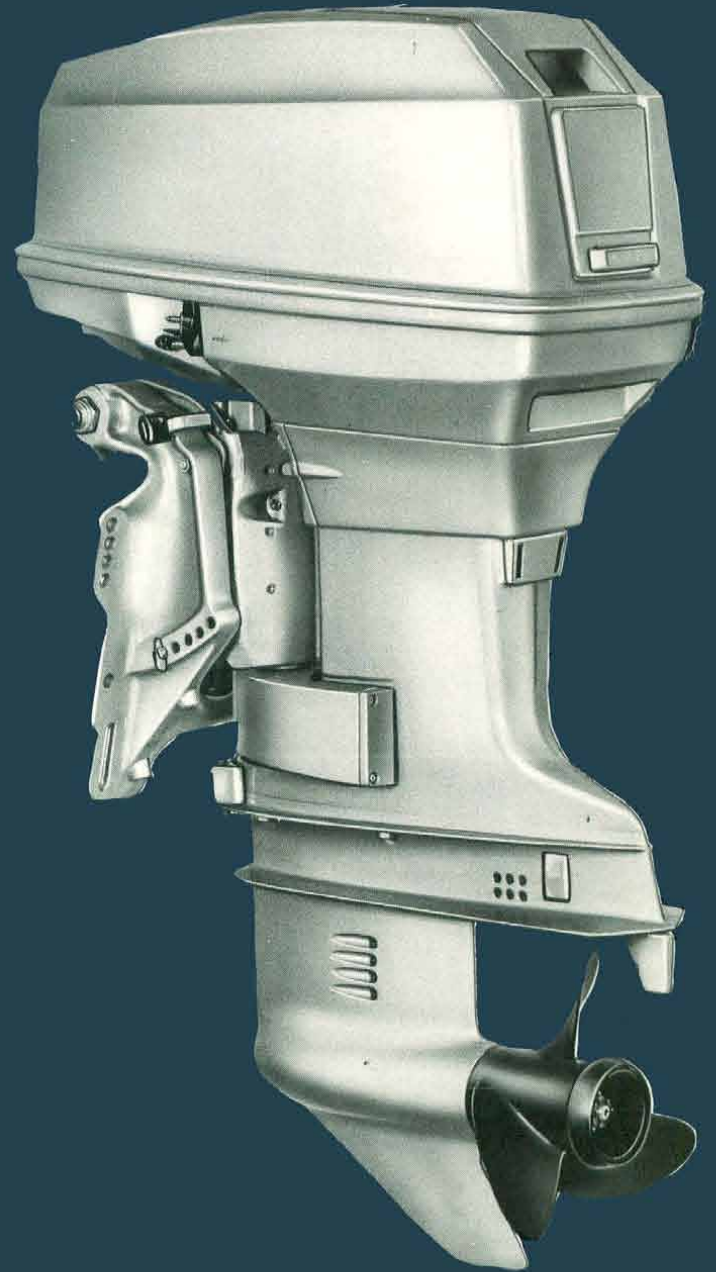




Johnson[®]

Service Manual

40 thru 55
Models



OUTBOARD MARINE CORPORATION 1987



EVINRUDE[®]

[Download this Manual](#)